

Technical data sheet

Product features



Cooking range electric with static oven

Model	SAP Code	00008578
--------------	-----------------	----------



- Device type: Electric unit
- Power consumption of the zone 1 [kW]: 2,6
- Power consumption of the zone 2 [kW]: 2,6
- Power consumption of the zone 3 [kW]: 2,6
- Power consumption of the zone 4 [kW]: 2,6
- Type of internal part of the appliance 1 (eg oven): Electric
- Type of internal part of the appliance 2 (eg oven): Static
- Protection of controls: IP24
- Material: AISI 304 top plate and cladding

SAP Code	00008578	Number of zones	4
Net Width [mm]	800	Power consumption of the zone 1 [kW]	2,6
Net Depth [mm]	730	Power consumption of the zone 2 [kW]	2,6
Net Height [mm]	900	Power consumption of the zone 3 [kW]	2,6
Net Weight [kg]	91.00	Power consumption of the zone 4 [kW]	2,6
Power electric [kW]	16.700	Type of internal part of the appliance 1 (eg oven)	Electric
Loading	400 V / 3N - 50 Hz	Type of internal part of the appliance 2 (eg oven)	Static

Technical data sheet

Technical drawing

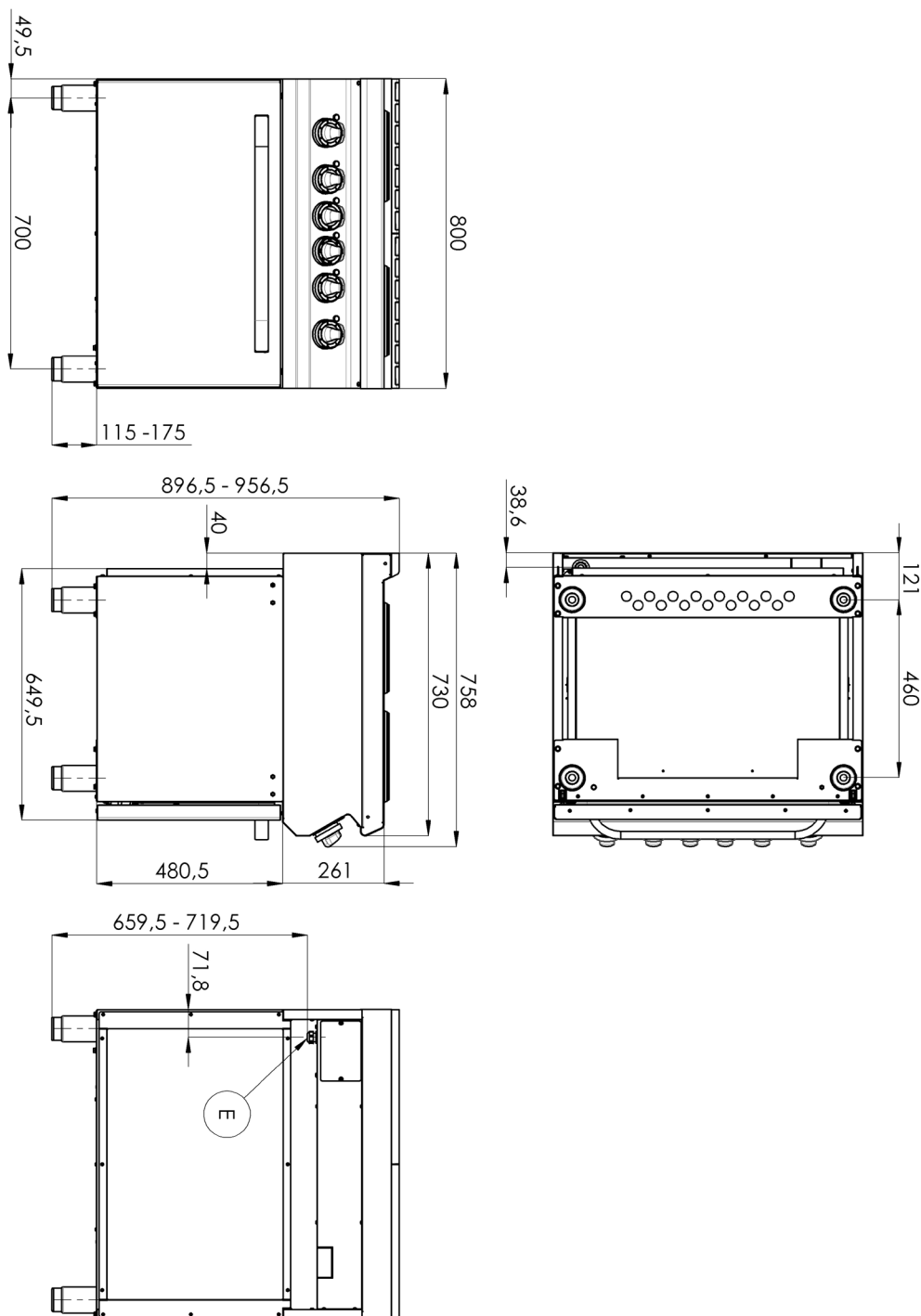


Cooking range electric with static oven

Model

SAP Code

00008578



Technical data sheet

Technical parameters



Cooking range electric with static oven

Model

SAP Code

00008578

1. SAP Code:

00008578

2. Net Width [mm]:

800

3. Net Depth [mm]:

730

4. Net Height [mm]:

900

5. Net Weight [kg]:

91.00

6. Gross Width [mm]:

840

7. Gross depth [mm]:

800

8. Gross Height [mm]:

1080

9. Gross Weight [kg]:

104.00

10. Device type:

Electric unit

11. Construction type of device:

Stationary

12. Power electric [kW]:

16.700

13. Loading:

400 V / 3N - 50 Hz

14. Protection of controls:

IP24

15. Exterior color of the device:

Stainless steel

16. Material:

AISI 304 top plate and cladding

17. Indicators:

operation

18. Worktop type:

Molded - comfortable cleaning maintenance

19. Worktop material:

AISI 304

20. Worktop Thickness [mm]:

1.50

21. Number of zones:

4

22. Power consumption of the zone 1 [kW]:

2,6

23. Power consumption of the zone 2 [kW]:

2,6

24. Power consumption of the zone 3 [kW]:

2,6

25. Power consumption of the zone 4 [kW]:

2,6

26. Maximum device temperature [°C]:

300

27. Minimum device temperature [°C]:

50

28. Service accessibility:

Trough the frontal panel

Technical data sheet

Technical parameters



Cooking range electric with static oven

Model

SAP Code

00008578

29. Adjustable feet:

Yes

30. Number of burners/hot plates:

4

31. Type of electric cooking zones:

Oval

32. Oven Type:

electrical static

33. Oven power electric [kW]:

6.30

34. Oven size:

GN 2/1

35. Type of internal part of the appliance 1 (eg oven):

Electric

36. Type of internal part of the appliance 2 (eg oven):

Static

37. Gasket:

Yes

38. Maximum temperature of the inner chamber [°C]:

300

39. Minimum temperature of the inner chamber [°C]:

50